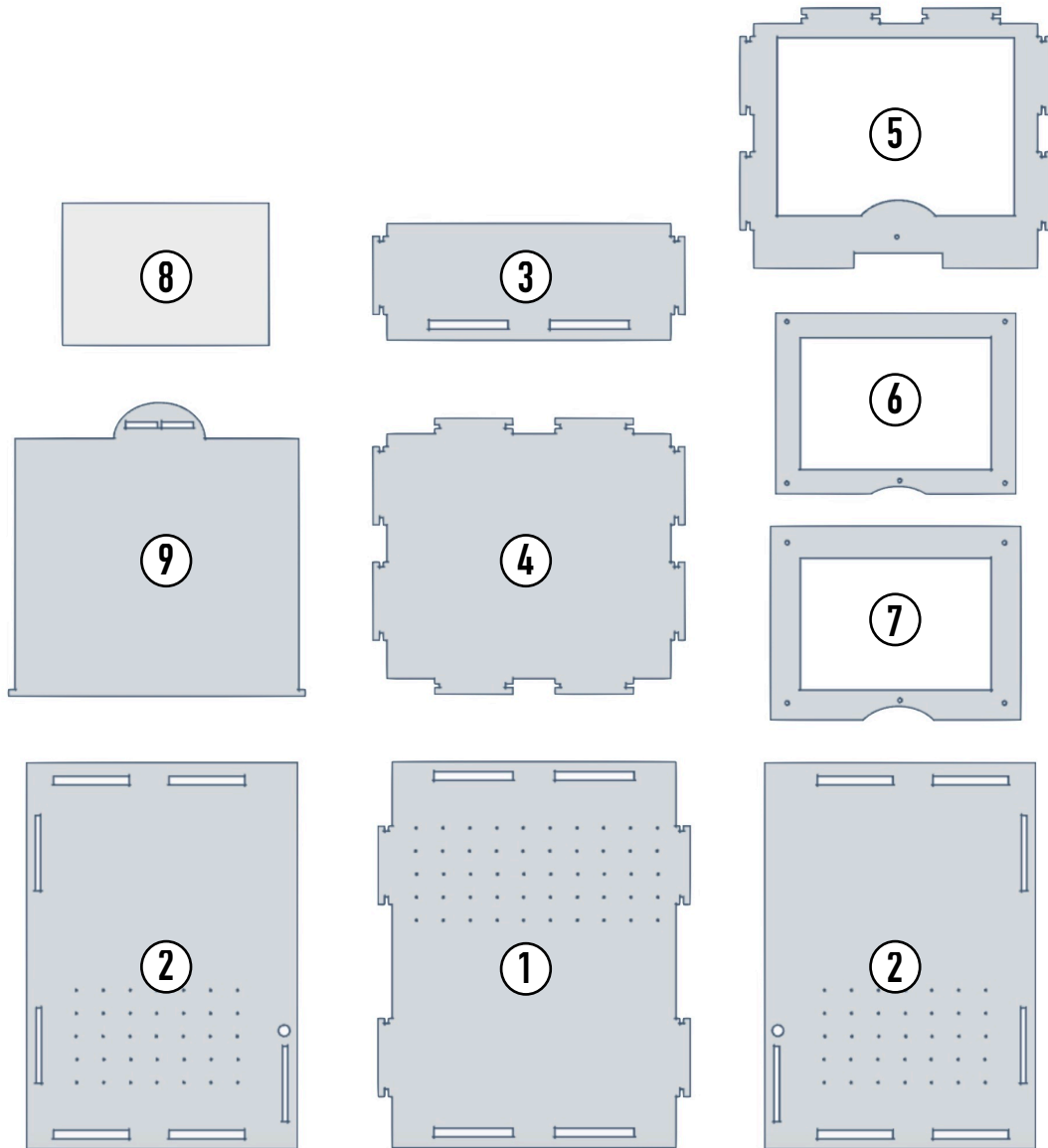


ACRYLIC ENCLOSURE ASSEMBLY GUIDE



1. Rear section
2. Side section
3. Front section
4. Bottom section
5. Top section
6. Lower ventilation frame
7. Upper ventilation frame
8. Ventilation net
9. Door



x 1 Swivel Lock



x 25 Rubber Rings



x 6 Bolts



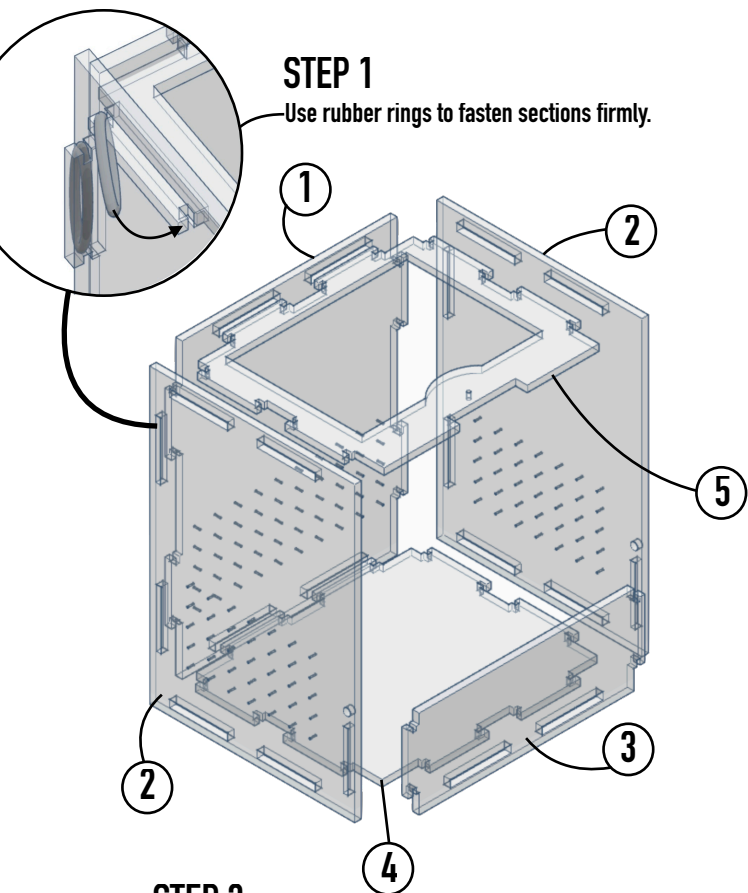
x 5 Nuts



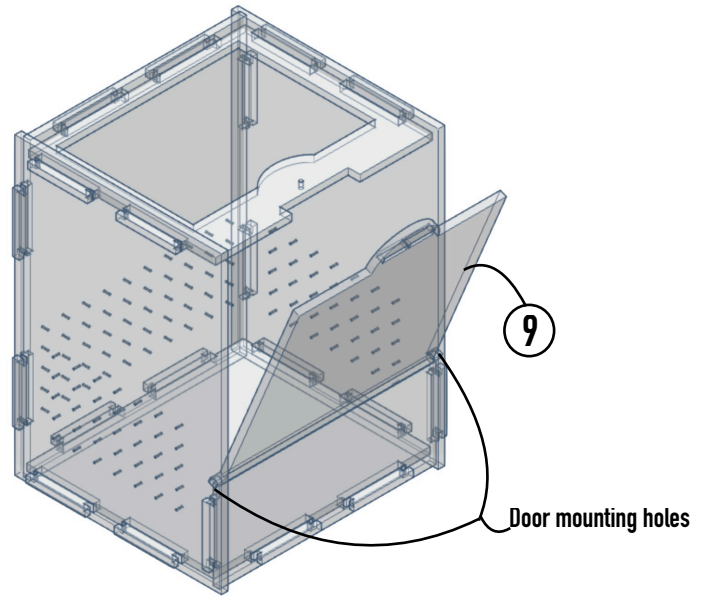
x 1 Swivel Lock Nut



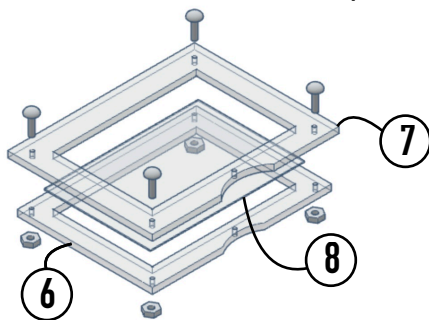
x 1 Hex Key



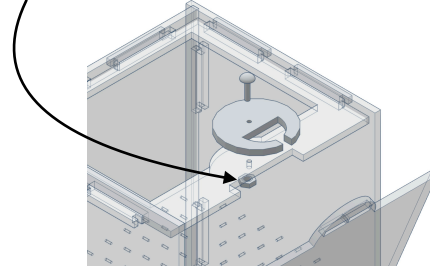
STEP 2
Install door section into mounting holes.



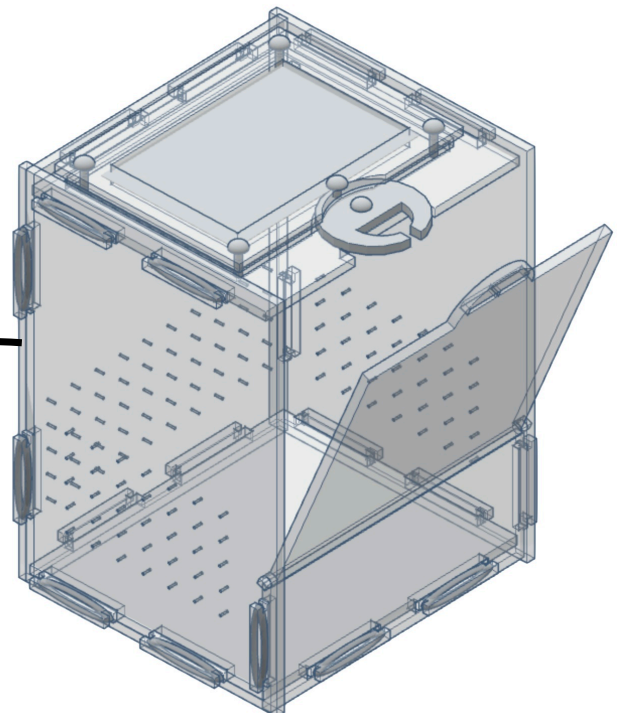
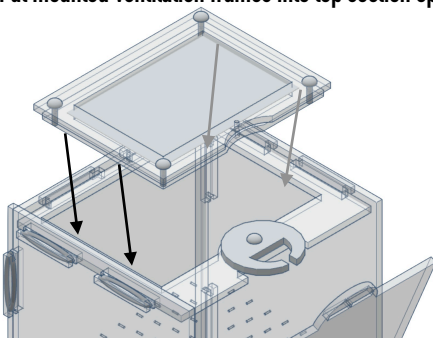
STEP 3
Mount both frames with bolts and nuts and put net between them.



STEP 4
Use swivel lock nut – it has slightly different shape.



STEP 5
Put mounted ventilation frames into top section opening



DONE!